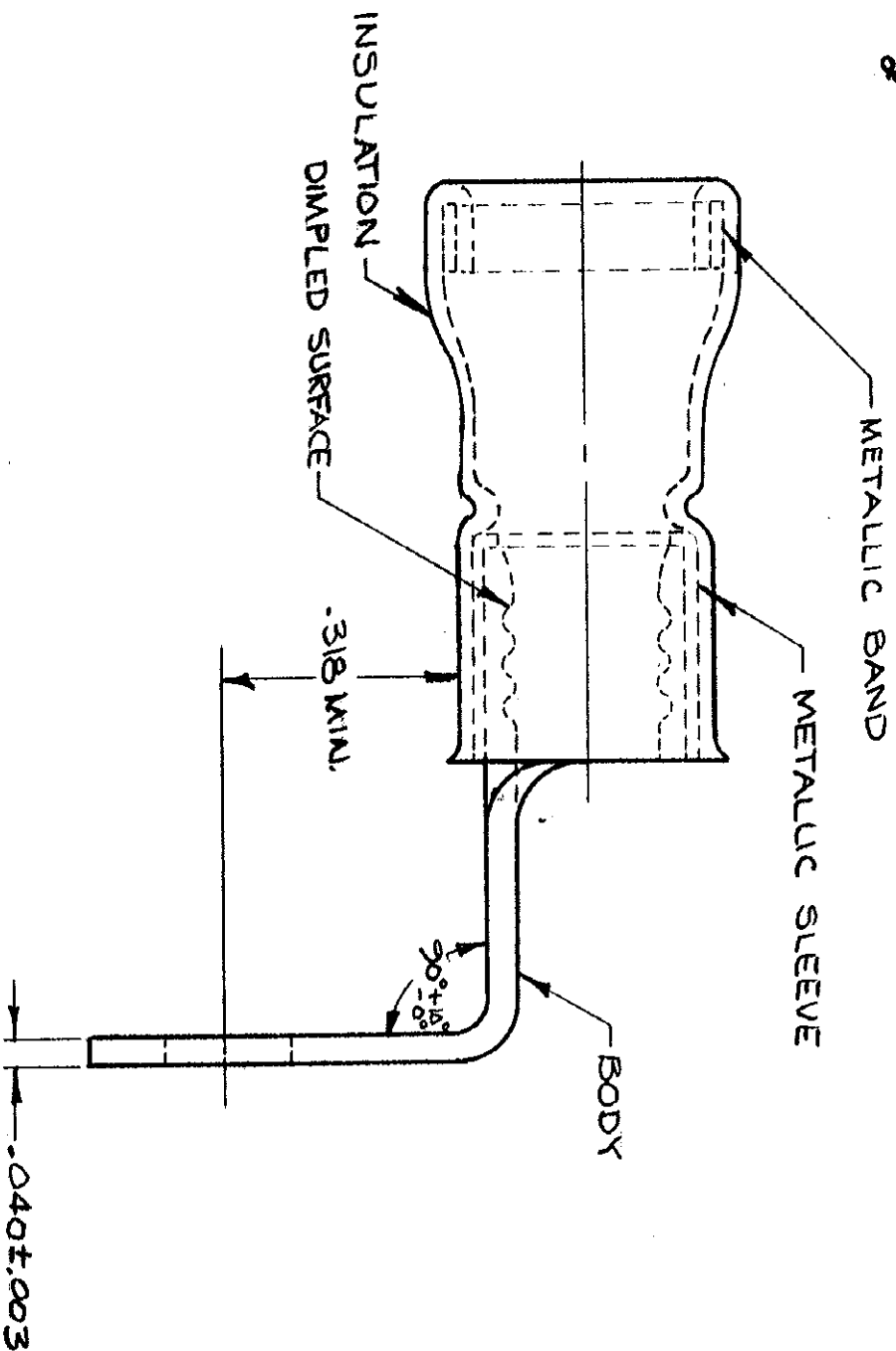


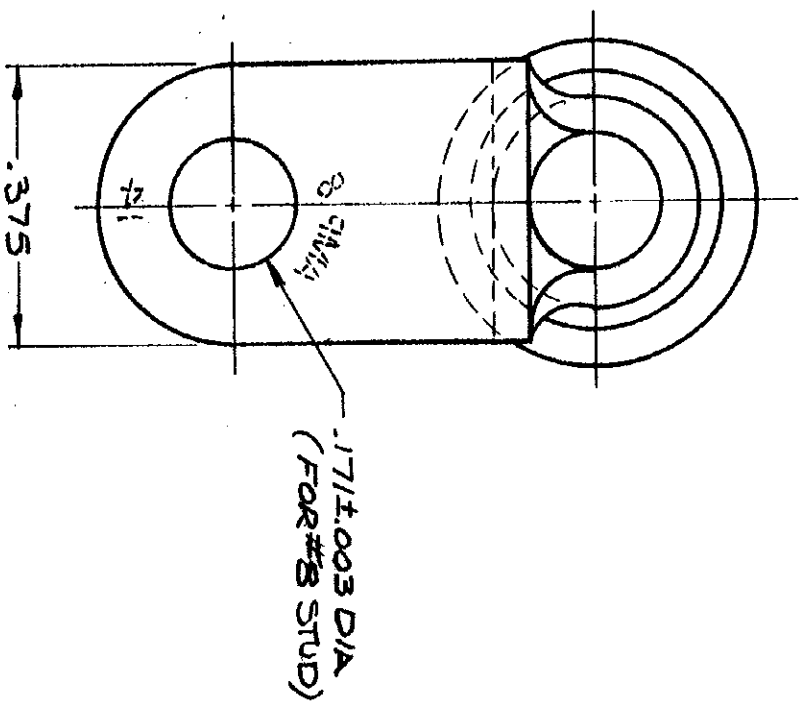
DRAWING MADE IN THIRD ANGLE PROJECTION

© COPYRIGHT 1978 BY AMP INCORPORATED, HARRISBURG, PA.  
 ALL INTERNATIONAL RIGHTS RESERVED. AMP INCORPORATED PRODUCTS  
 COVERED BY U. S. AND FOREIGN PATENTS AND/OR PATENTS PENDING.

ALL DIMENSIONS ARE IN INCHES  
 UNLESS OTHERWISE SPECIFIED  
 TOLERANCES ON:  
 DECIMALS ±.008  
 ANGLES ± 5°



FOR .298 MAX DIA. WIRE INSULATION



P. E. ZONE		LTR		REVISIONS		DATE	APPROVED
✓	0	✓	0	NPS 77-0307	CE	1-3-78	
✓	A	✓	A	REV. PER P-8347	REB	4/1/79	JT
✓	B	✓	B	REV G-4680	TMS	5-9-80	JT

BODY: COPPER (QQ-C-576)	
INSULATION: PVC COLOR: RED	
METALLIC SLEEVE: COPPER (QQ-C-576)	54575-1
METALLIC BAND: STEEL QQ-S-698 ASTM A109	
MATERIAL & FINISH	PART NO

UNLESS OTHERWISE SPECIFIED DIMENSIONS ARE IN INCHES. TOLERANCES ON: DECIMALS ±.008 ANGLES ± 5°		CONTRACT NO 15-78	
MATERIAL SEE TABLE		DR <i>P. Hault</i>	
FINISH SEE TABLE		CHK <i>M. Hault</i> : 1-4-78	
APPD		APPD	
DSGN APPD <i>D. Hault</i> : 1-4-78		SCALE 4:1	
OTHER APPD		NAME WIRE TERMINAL	
AMP INCORPORATED Harrisburg, Pa.		CODE IDENT NO 00779	
AMP-LBOND-RING TONGUE - 90° BENT WIRE SIZE: #8		DRAWING NO 54575	
SHEET 1 of 1		SHEET 1 of 1	

CUSTOMER DRAWING